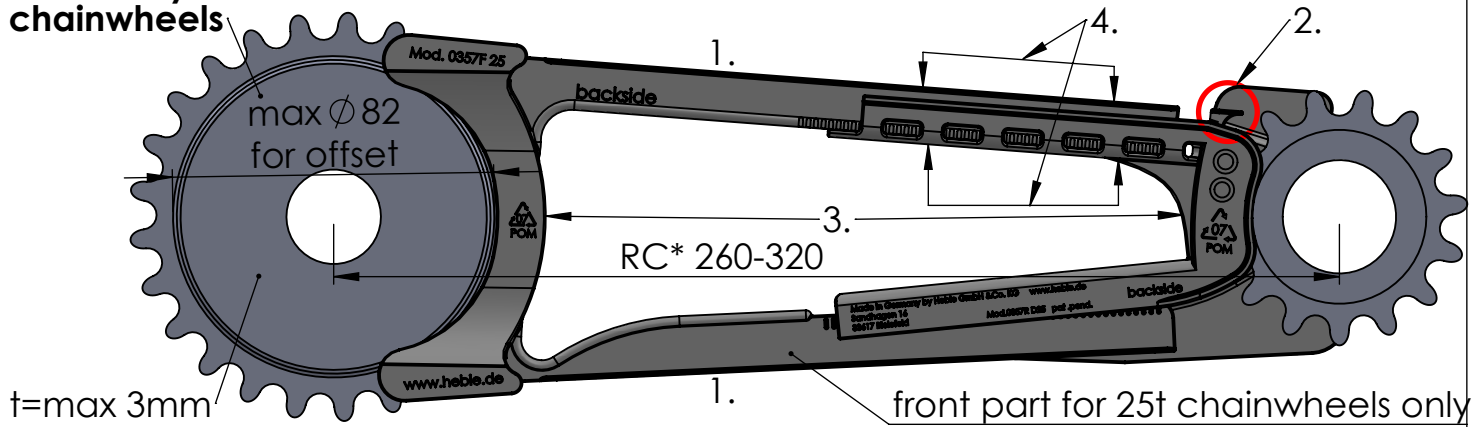


# Technical Information 0357F25 / RD25

we recommend  
to use fully closed  
chainwheels



Assembly:

1. insert complete upper/lower guiding rail into the clips
2. insert guiding rail of rear part into the clips
3. pull front and rear part apart
4. click front and rear part together

Use only Chain KMC S1 (former Z410)  
no chain locks, only rivet the chain  
optimal chain sag 12,8mm  
inner parts needs horizontal clearance of 1-2mm  
check moveability after mounting the rear &  
front part!

Subject to change without prior notice

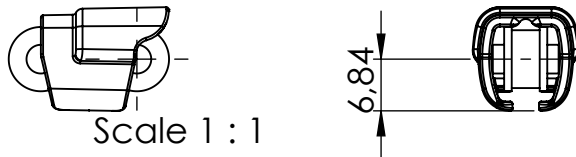


Table only valid for approved configurations\*\*

rear	RC* w/o sag	chain links /clips
14t	269	62
14t	320	70
15t	266	62
15t	317	70
16t	262	62
16t	314	70
17t	272	64
17t	311	70
18t	270	64
18t	320	72

## \*\*Approved configurations

No.	Supplier	Code-No.	parts name	Description	
1	RUBY	SFW-17T	Freewheel	17T, 1/2x1/8	
2	RUBY	SFW-18T	Freewheel	18T, 1/2x1/8	
3	LIDA	LMA-0 / AON-15	Freewheel	15T, 1/2x3/32 @30mm	
4	LIDA	LMA-8	Freewheel	17T, 1/2x1/8 @1.37"	
5	EPOCH	LY-15T8QJ	Freewheel	15T, 1/2x1/8", M30x1	
6	EPOCH	LY-1018A	Freewheel	18T, 1/2x1/8 @1.37"	
7	SHIMANO	KCBE110AXM	Rearhub	Coaster, 1-sp.	see sprocket pos.9 - 10
8	SHIMANO	SG-3R40, SG-3RC41, SG-3D55	Rearhub	NEXUS-3	see sprocket pos.9 - 10
9	SHIMANO	ASMGEAR16LP	Sprocket	16T, 2,3mm	
10	SHIMANO	ASMGEAR18LP	Sprocket	18T, 2,3mm	
11	KT	KT-307	Rearhub	Coaster, 1-sp.	see sprocket pos.11 - 13
12	KT	14T	Sprocket	14T, 2,3mm	
13	KT	16T	Sprocket	16T, 2,3mm	
14	KT	18T	Sprocket	18T, 2,3mm	
15	FALCON	CF-E12	Rearhub	Coaster, 1-sp.	see sprocket pos.15 - 16
16	FALCON	16T	Sprocket	16T, 2,3mm	
17	FALCON	18T	Sprocket	18T, 2,3mm	
18	SUNRACE/Sturmey Archer	CBS1C	Rearhub	Coaster, 1-sp.	see sprocket pos.19 - 21
19	SUNRACE/Sturmey Archer	IHS3S AWC	Rearhub	3-sp.	see sprocket pos.19 - 21
20	SUNRACE/Sturmey Archer	16T	Sprocket	16T, 3mm	
21	SUNRACE/Sturmey Archer	17T	Sprocket	17T, 3mm	
21	SUNRACE/Sturmey Archer	18T	Sprocket	18T, 3mm	

added chain name 14.11.2018

geänderte Kettenbezeichnung hinzu 14.11.2018